



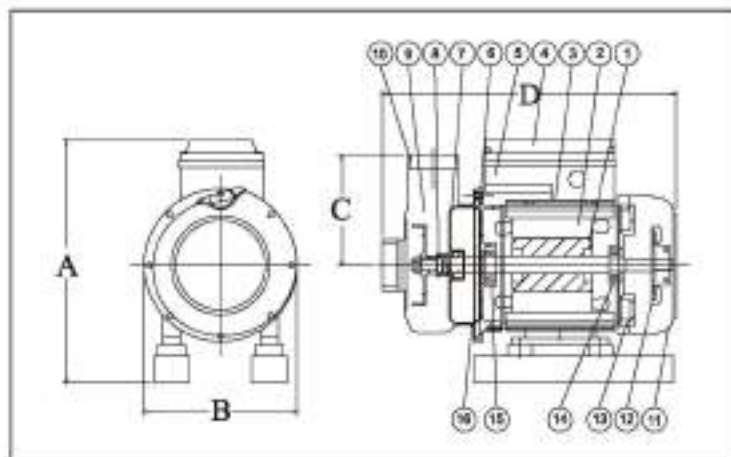
Sea Water

Open Impeller Stainless steel pump (For Sea Water Use)

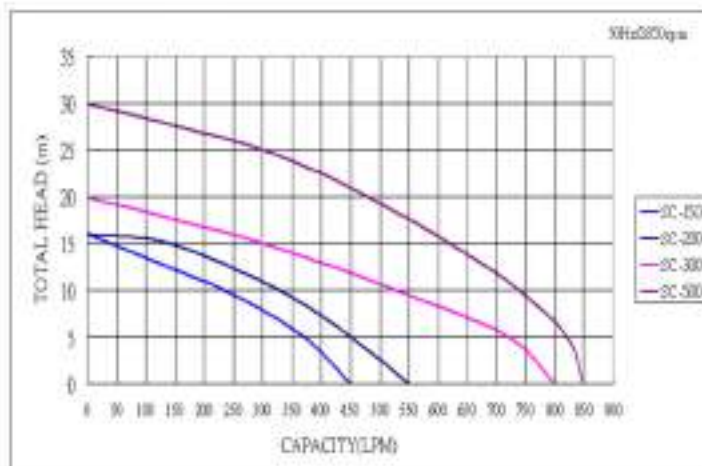


Stainless Staloper Impeller

Construction



Performance curve



Parts list

| No. | Description | Material | Qty |
|-----|----------------------|-----------|-----|
| 1 | Rotor & shaft | 316SS04 | 1 |
| 2 | Stator | | 1 |
| 3 | Stator Housing | Aluminum | 1 |
| 4 | Terminal Box (Upper) | ABS | 1 |
| 5 | Terminal Box (Lower) | ABS | 1 |
| 6 | Front Endshield | Aluminum | 1 |
| 7 | Mid Plate | 316SS 304 | 1 |
| 8 | Mechanical Seal | SiC/SiC | 1 |
| 9 | Impeller | 316SS 304 | 1 |
| 10 | Pump Housing | 316SS 304 | 1 |
| 11 | Fan Cover | Steel | 1 |
| 12 | Fan | Nylon 66 | 1 |
| 13 | Endshield | PC-00 | 1 |
| 14 | Bearing | | 1 |
| 15 | Bearing | | 1 |
| 16 | O-Ring | VITON | 1 |

Specifications

| TYPE | POWER | | DISCHARGE | VOLTAGE | MAXIMUM | | DIMENSION (mm) | | | | WEIGHT |
|--------|-------|-----|-----------|--------------------------------------|---------|--------|----------------|-----|-----|-----|--------|
| | HP | KW | INCH | 50Hz | Head(M) | Q(LPM) | A | B | C | D | KG |
| SC-150 | 1.5 | 1.1 | 2 X 2 | 1PH/220V-240V or 3PH/380V-415V | 16 | 400 | 268 | 194 | 138 | 373 | 13.5 |
| SC-200 | 2 | 1.5 | 2 X 2 | | 16 | 550 | 268 | 194 | 138 | 373 | 16.5 |
| SC-300 | 3 | 2.2 | 2.5 X 2 | | 20 | 800 | 275 | 218 | 148 | 485 | 24.5 |
| SC-500 | 5 | 3.7 | 3 X 2.5 | | 30 | 850 | 284 | 218 | 148 | 510 | 45 |